

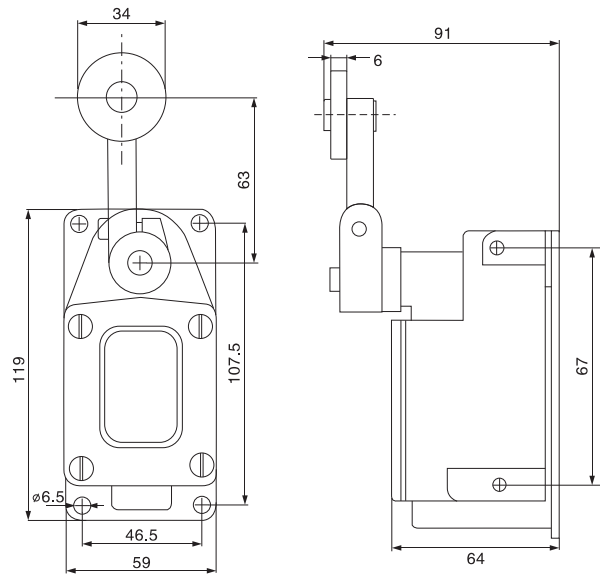
## FTSB1 Series Limit Switch 系列行程开关

### 用途 Application

FTSB1系列行程开关是引进美国技术开发研制而成的，该产品适用于交流40-60HZ，直流电压至440V的控制电路中，作为操纵、限位、联锁等多种用途。符合IEC、GB14048.1和GB14048.5标准。

FTSB1 series limit switch is developed by the american technology, it is used in control loop with AC40-60Hz, DC rated voltage at least 440V, it has driving, limiting interlock function. it complies with the standard of IECGB14048 and GB14048.5.

FTSB1-111(一常开一常闭1NO1NC)  
FTSB1-101B(常开型NO)



FTSB1-122(一常开一常闭1NO1NC)  
FTSB1-102B(常开型NO)

